

The CSI Primary band A Condensing Boiler provides low cost heating solutions, for comfortable living with exact operating settings for efficient energy control. At 97% efficient, it will give savings of over 30% on fuel bills against an old cast iron boiler.

Compare our nett efficiencies (back page) input/output with that of our competitors – the savings speak for themselves!

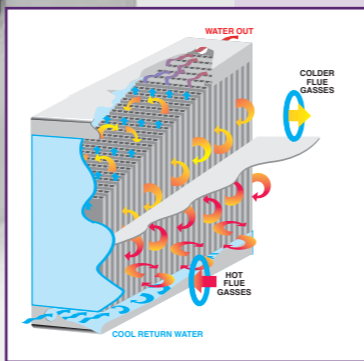
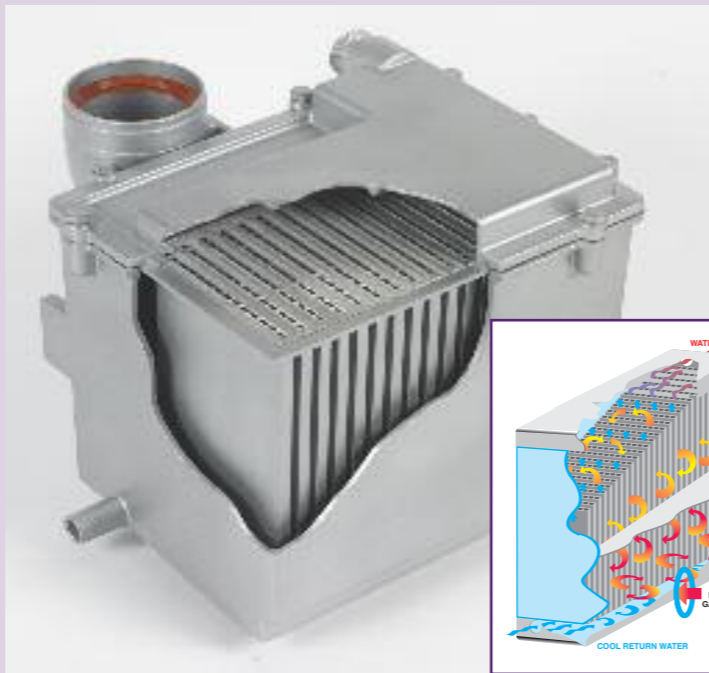
More efficient, reduced emissions

With the depletion of the rain forests and commitments by governments worldwide to a reduction in greenhouse gas emissions, users of Ravenheat's new CSI Primary band A Condensing Boiler can be assured that they will be playing a key role in saving energy and ensuring that flue emissions of nitrous oxide and carbon dioxide are kept to a minimum, which is excellent news for the environment.

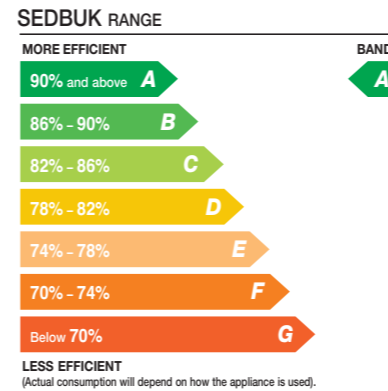
CERTIFIED TO BOILER EFFICIENCY DIRECTIVE (BED)

THE EFFICIENT BOILER for all your heating requirements

Unique heat exchanger extracts heat from otherwise wasted exhaust gasses.

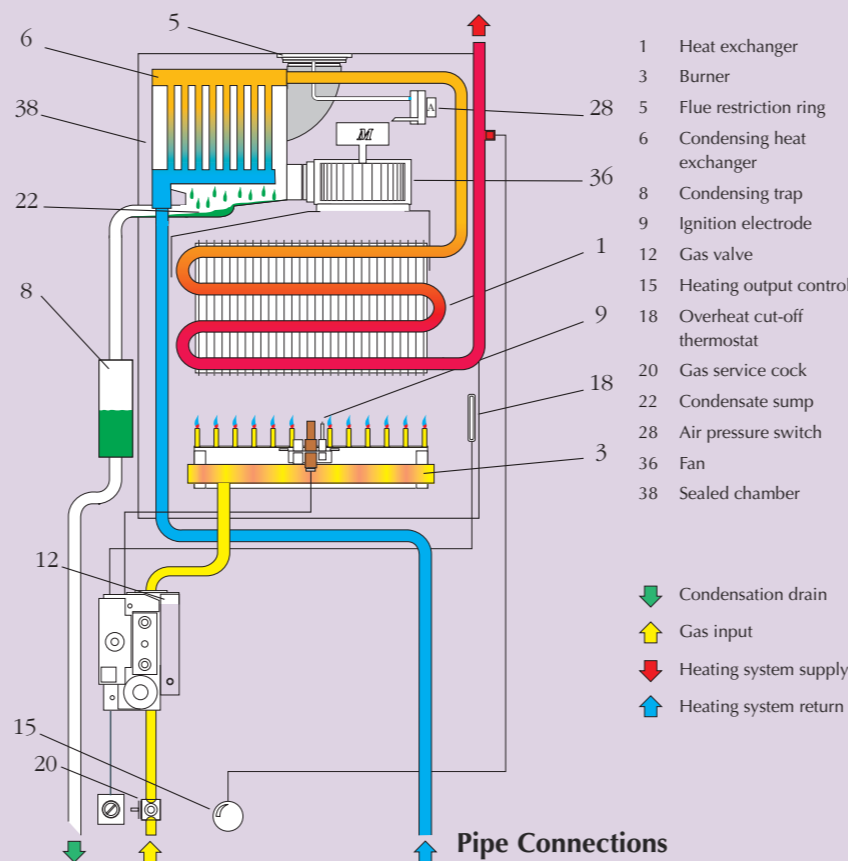


As a simple guide to efficiency a scheme has been created with SEDBUK efficiency bands assigned to boilers on an A for the most efficient to a G for the less efficient.



The CSI Primary band A condensing boiler is designed to extract more heat from a smaller quantity of fuel. The reason is a second unique aluminium heat exchanger. This increase in efficiency is obtained by reducing the temperature of the flue gasses to a point where water vapour produced during combustion is condensed out. This releases latent heat which would otherwise escape with the flue gasses. Simply by extracting the heat from the flue gasses, the nett result gives lower gas bills.

OPERATING SCHEME What goes on inside the boiler?



Simply Easy to Install

Quietly Operating to Save You Money...

The CSI Primary band A Condensing Boiler has been developed for energy saving new installations, or as a direct replacement for that old inefficient boiler. At 97% minimum nett efficiency, it will give savings of over 30% on fuel costs.

Start to save money today. The CSI Condensing Boiler will cut your fuel costs for many years to come.

The Ravenheat CSI Primary band A Condensing boiler has been carefully developed for greater utilization of energy for super high efficiency. It can be used as a condensing heating only boiler, or in the design of a system incorporating a hot water cylinder.



Ravenheat has one of the most modern up to date factories in Europe for design and production of their high quality products.



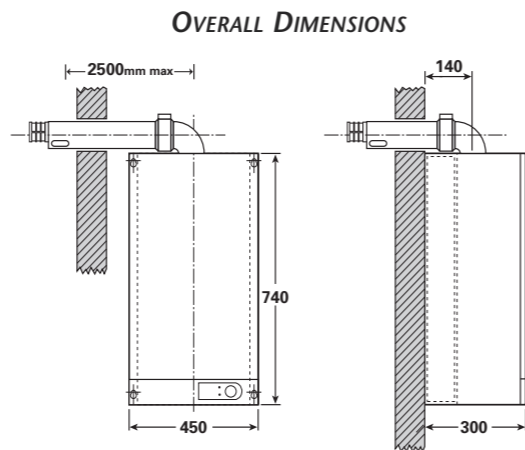
Certification mark

Quality Assurance

Ravenheat not only operate a quality ISO9002 system. Indeed we hold the highest accolade in design manufacturing excellence, being one of the few manufacturers to hold ISO9001:2001 system, for quality of design, something very few boiler manufacturers have achieved.

This quality system ensures you, the customer, of Ravenheat's commitment to excellence right across the product range.

		MODEL CSI PRIMARY AAA	
INPUT MAX-MIN NETT	Btu/h kW	84.500 - 44.500 24.8 - 13.0	
OUTPUT MAX-MIN ADJUSTABLE	Btu kW	87.200 - 45.700 25.6 - 13.4	
MAX/MIN NETT EFFICIENCY		103.1/96.8%	
MAX CENTRAL HEATING TEMPERATURE	°C	85°	
CONNECTION			
FLOW & RETURN COPPER	mm	22	
GAS CONNECTION	mm	15	
CONDENSING PIPE 3/4 PUSH FIT			
WEIGHT	Kg	42	
FLUE SIZE	mm	100	
ELECTRICAL MAINS SUPPLY		230v 50 hz FUSED 3 amp	
SEDBUK	Nat Gas LPG	A	BAND A BAND A
	%		%
		90.2	91.2



PRIMARY CONDENSING BOILER

CSIA

replace your old inefficient boiler & start to save money on your fuel bills



CONDITIONS OF 3 YEAR WARRANTY - only on purchases after 01/09/05. Boiler must be correctly installed. Boiler must be commissioned by a Corgi registered engineer. Boiler must be registered with Ravenheat upon purchase (so 3 year warranty can be activated, band A models only). Boiler must be correctly maintained and serviced by a qualified, competent person. For any other information please refer to user guide and installation instructions.

benchmark Ravenheat is a member of the Benchmark initiative and fully supports the aims of the programme. Benchmark has been introduced to improve the standards of installation and commissioning of central heating systems in the UK and to encourage the regular servicing of all central heating systems to ensure safety and efficiency.



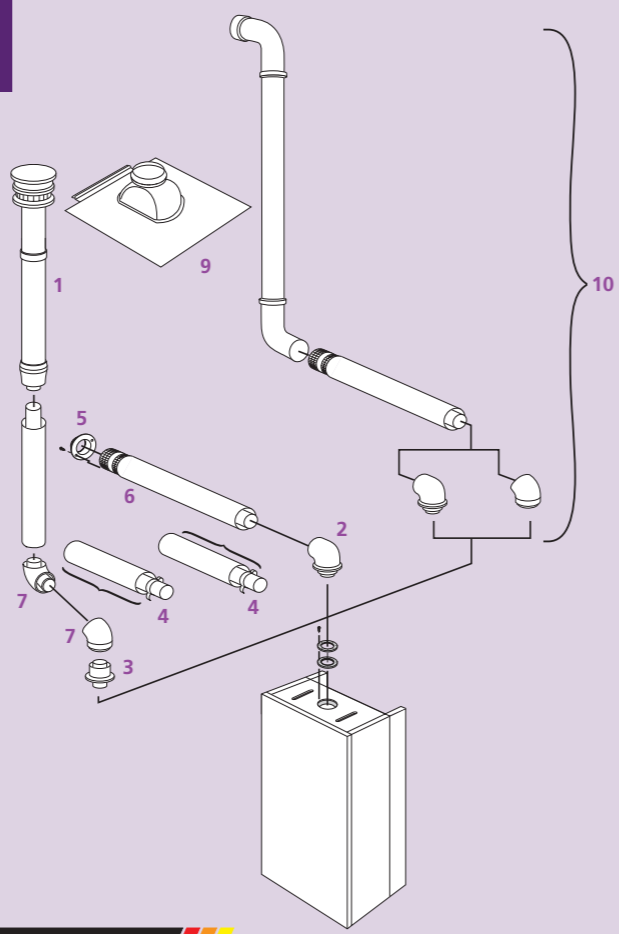
Flue Options

The CSI Primary band A requires a standard 1 metre horizontal flue kit, or a vertical flue accessory kit which can be extended to 2.5 metres horizontal or 3.5 metres vertical.

The above flue arrangements should fit most requirements however, alternative systems (twin or 125mm) are available for longer flue distances on request.

100mm CONCENTRIC FLUE SYSTEM

PART	DESCRIPTION	BARCODE	RAVENHEAT PART NO
1+3 +	Vertical flue terminal kit straight flue header (vertical starter pack)	5060022141995 + 5060022141186	N5094130 + 5094110B
2	90 deg boiler bend	5060022141209	CSIFB
3	Straight flue header	5060022141186	5094110B
4	1000mm flue extension	5060022141339	NFE
5	External flue collar		Supplied with No 6
6	Horizontal flue kit complete with boiler bend	5060022141230	CSIFKB
7	45 deg in line bend	5060022141247	N45FBI
7	90 deg in line bend	5060022141315	N90FBI
9	Vertical lead flashing sleeve - pitched roof	5060022141063	0019TEG06005/0
10	Plume kit	5060022143142	1019TER11010/0



Chartists Way, Morley, Leeds LS27 9ET. Telephone: +44 (0)113 252 7007. Fax: +44 (0)113 238 0229
 Website: www.ravenheat.co.uk E-mail: sales@ravenheat.co.uk

